

Jewelry Box - Customer Name

Box Size: 3.5 x 3.5 x 1

 Box Color: XXX (Do not print)

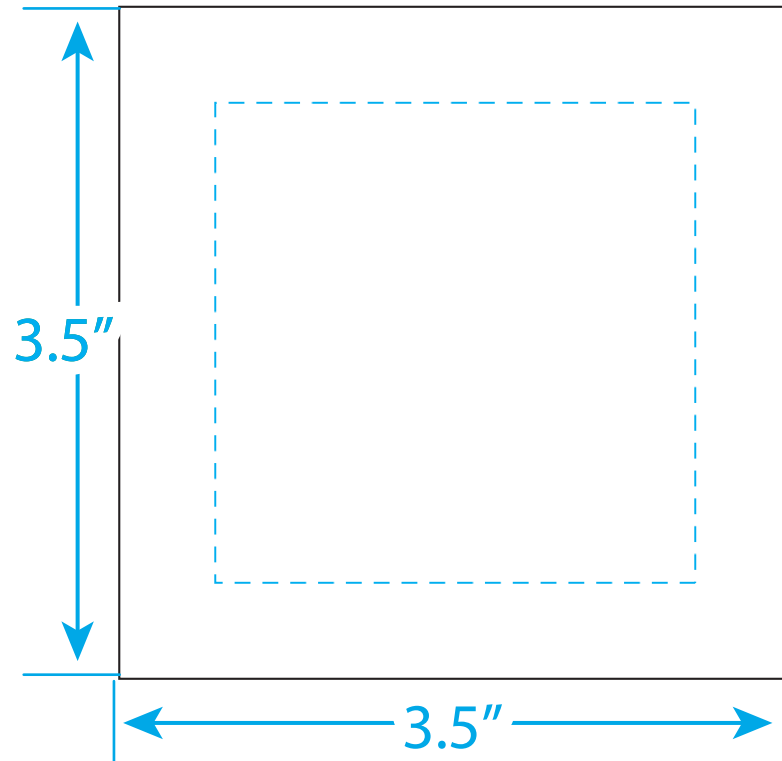
 Foil Color: XXX

 Max Imprint: 2.5 x 2.5

Please review EARTHPACK Art Guidelines before beginning.
Please work in number specified, custom PMS colors.
A confirmed EARTHPACK proof will be provided after art template submission.

Hot Stamped: 1 Color /1 Side

Top View



Side View

